

# niftylift

# 120



(A) 12.33m  
40ft 6in



(B) 10.33m  
34ft



(C) 5m  
16ft 6in



200kg  
440lbs



1.1m x 0.65m  
3ft 7in x 2ft 2in



(D) 1.9m  
6ft 3in



(E) 1.1m  
3ft 7in



(F) 1.5m  
4ft 11in



(G) 2.7m  
8ft 10in



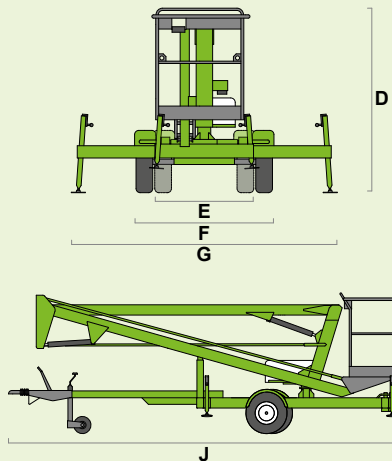
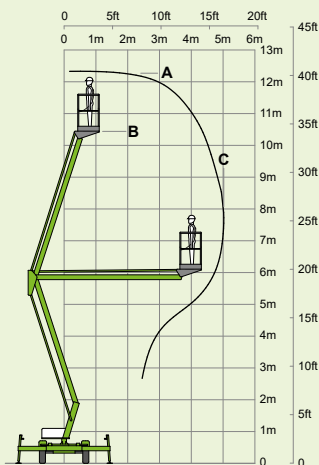
(J) 5.75m  
18ft 10in



1195kg  
2630lbs



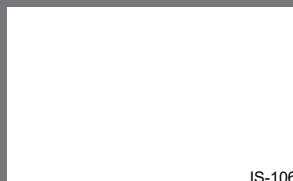
4%  
2.1°



**niftylift**

Chalkdell Drive, Shenley Wood,  
Milton Keynes, MK5 6GF  
England, United Kingdom  
+44 1908 223456  
sales@niftylift.com  
www.niftylift.com

 ISO 9001 QUALITY MANAGEMENT	 ISO 14001 ENVIRONMENTAL MANAGEMENT	 ISO 45001 HEALTH & SAFETY MANAGEMENT
------------------------------------	---	---



IS-106

Bi-Energy

