

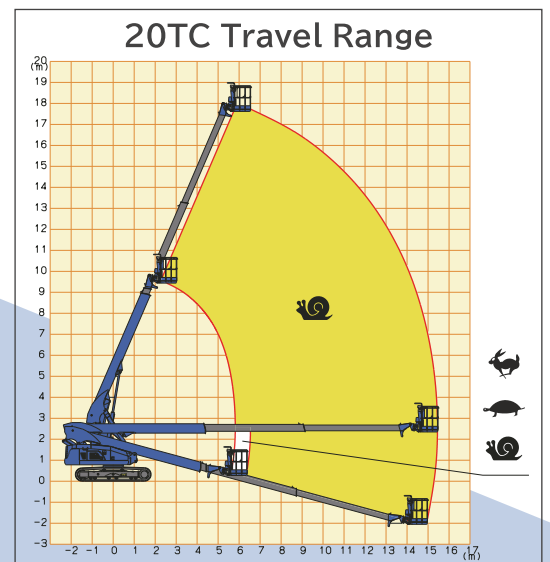
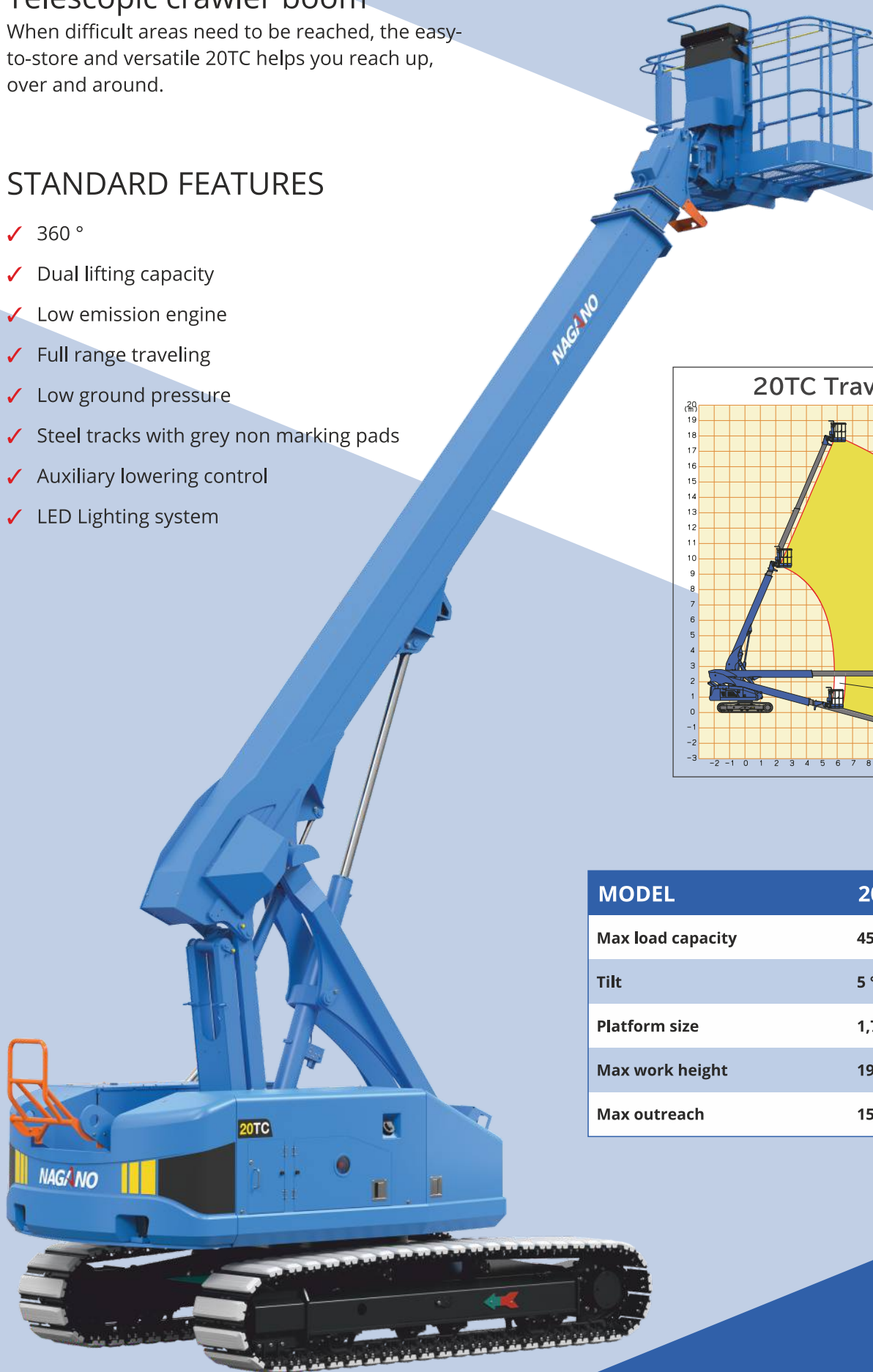
→ Nagano 20TC

Telescopic crawler boom

When difficult areas need to be reached, the easy-to-store and versatile 20TC helps you reach up, over and around.

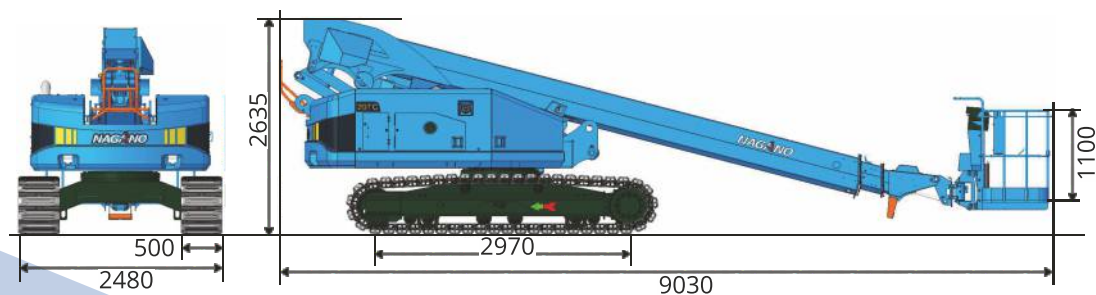
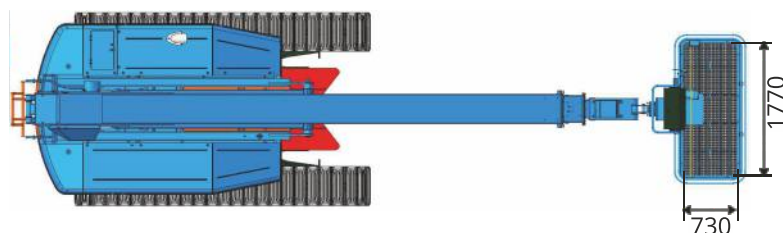
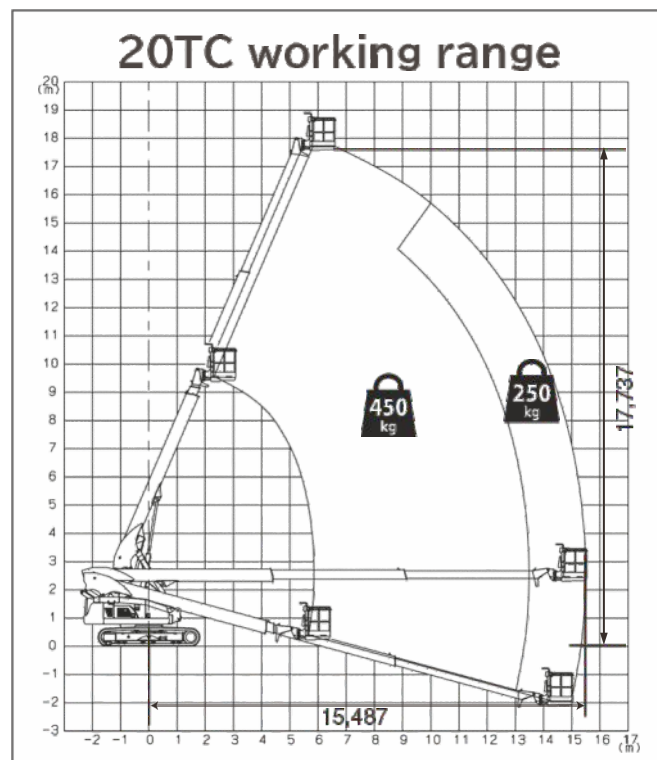
STANDARD FEATURES

- ✓ 360 °
- ✓ Dual lifting capacity
- ✓ Low emission engine
- ✓ Full range traveling
- ✓ Low ground pressure
- ✓ Steel tracks with grey non marking pads
- ✓ Auxiliary lowering control
- ✓ LED Lighting system



MODEL	20TC
Max load capacity	450/250 kg
Tilt	5 °
Platform size	1,77 x 0,73 x 1,10 m
Max work height	19,60 m
Max outreach	15,40 m

MODEL		20TC
SPECIFICATIONS	Max work height	19,60 m
	Max outreach	15,40 m
	Allowable tilt	5 °
	Max load capacity	450 / 250 kg
	Platform size (L x W x H)	1,77 x 0,73 x 1,10 m
	Swing angle basket	L90 ~ R90 °
	Transport dims (L x W x H)	9,03 x 2,48 x 2,64 m
TRA.	Machine weight	11.550 kg
	Travel speeds	1,0 / 1,8 / 3,3 km/h
	Engine type	Kubota D1803
POWER SOURCE	Rated power	23,9 / 2400 kW/min
	Fuel tank capacity	130 l
	Emergency stop	✓
SAFETY DEVICES	Food switch / Enabling switch	✓
	Slew lock pin	✓
	Auxiliary lowering control	✓
	Traveling restriction (on slope)	✓
	Operation restriction (on slope)	✓
	Overload sensing system	✓
	Battery isolator switch	✓
	LED lighting	✓



For all our types:

